



# Spicer® Driveshaft Type 0.04 **Inquiry Form / Order Form**

Customer / Customer Number:

Contact Person:

RFQ Reference:

Vehicle Model:

OE-Partnumber:

Application:

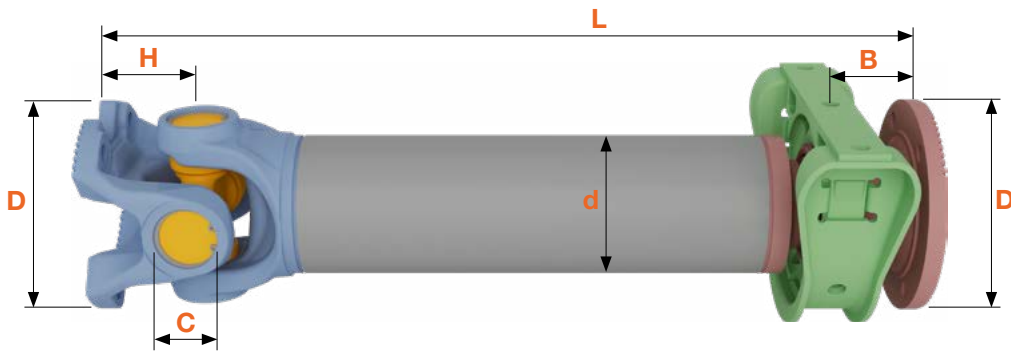
Bus

Truck

Other

Additional Info:

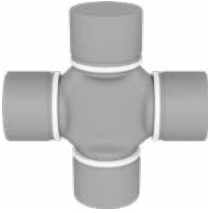
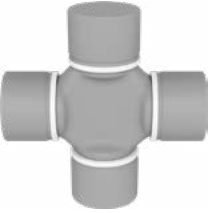
# Identify 0.04

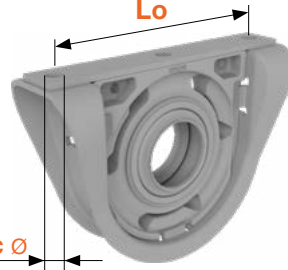
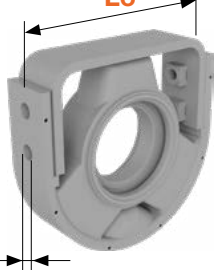




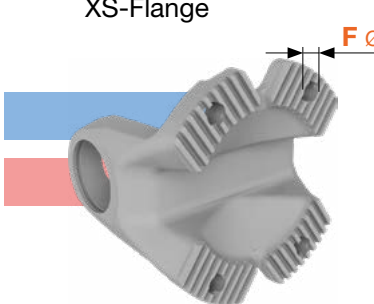
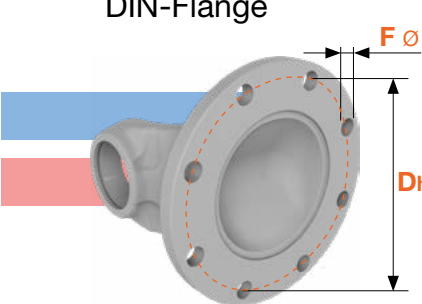
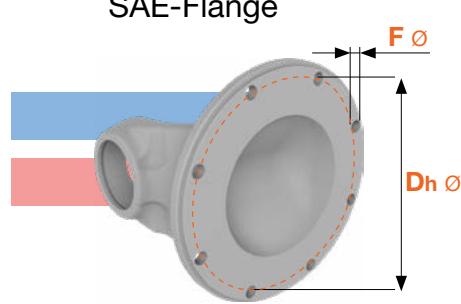
Fix-Joint [mm]	
D	Flange diameter
H	Flange height
C	Bearing Cup diameter

Additional Dimensions [mm]	
L	Length fully compressed
d	Tube out diameter

Midship Assembly [mm]	
D	Flange diameter
H	Flange height

U-Joint	
Service Free 	Re-Lube 
or select with marking on the cross (with ✓ an ) of the grease nipple	

Center Bearing Dimensions [mm]	
	
Lo	Distance hole
Hc Ø	Hole diameter
Select hole pattern <input type="radio"/>  <input type="radio"/> 	

Flange Dimensions [mm]		
XS-Flange 	DIN-Flange 	SAE-Flange 
F Ø hole diameter Numbers of hole:		
Dh Ø Bolt circle diameter		